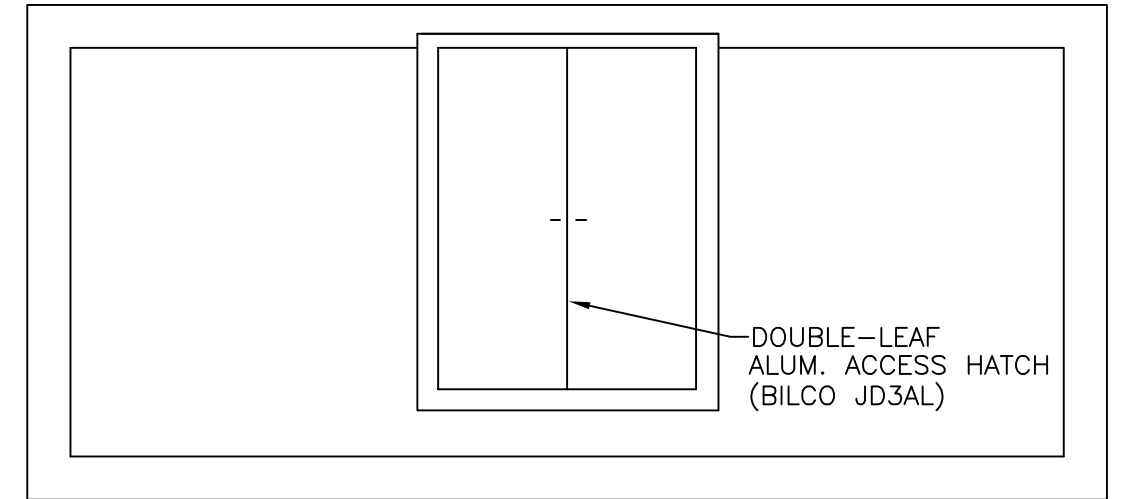
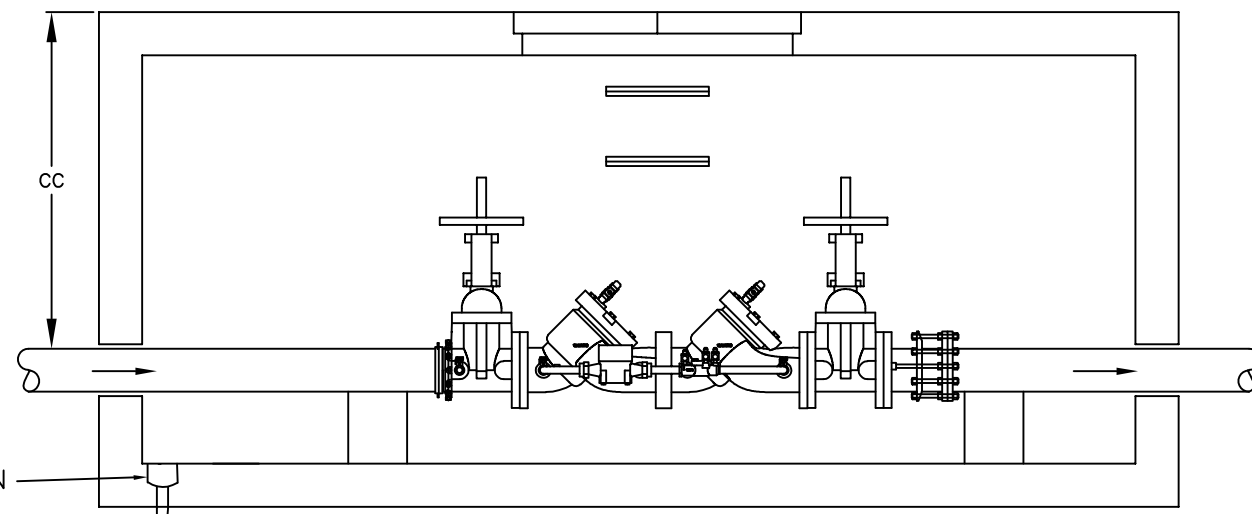


TOP VIEW DETAIL



DOOR DETAIL



SIDE VIEW DETAIL

3" PVC @ 1% MIN.
SLOPE TO DAYLIGHT

LEGEND:

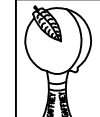
- A. DOUBLE CHECK VALVE ASSEMBLY WITH DETECTOR CHECK APPROVED BY BPW.
- B. OS&Y RESILIENT SEAT GATE VALVE (FLG x FLG WITH HAND WHEEL OPERATOR) MANUFACTURED BY MUELLER, US PIPE OR AMERICAN FLOW CONTROL.
- C. EBBA IRON SERIES 2100 MEGAFLANGES (PROVIDED BY BPW) BPW/CONTRACTOR RESPONSIBILITY TRANSITION.
- D. D.I.P. PE. X PE. (PROVIDED BY BPW)
- E. ROMAC DISMANTLING JOINT, STYLE DJ400 OR EQUAL.
- F. D.I.P., FLG X PE.

NOTES:

1. 2" & SMALLER METER & VAULTS INSTALLED BY BPW.
2. LOCATION "C" DENOTES WHERE THE BPW RESPONSIBILITY STOPS. CONTRACTOR TO INSTALL REMAINING PORTION AND CONTINUE TO SITE PLUMBING.
3. CONTRACTOR TO PURCHASE AND SET VAULT.
4. SUBMITTAL REQUIRES STAMPED PRECAST OR CAST IN PLACE ENGINEER DRAWING FOR VAULT.
5. ALL MATERIALS AND EQUIPMENT ARE SUPPLIED BY CONTRACTOR.

LINE SIZE	AA	BB	CC	DOOR SIZE
4	8'-0"	6'-0"	4'-11"	4'x 4' DBL. DR.
6	8'-0"	6'-0"	4'-11"	4'x 4' " "
8	8'-0"	6'-0"	4'-11"	4'x 4' " "
10	10'-0"	6'-0"	4'-11"	5'x 5' " "
12	10'-0"	6'-0"	4'-11"	5'x 5' " "

MINIMUM INSIDE DEMENSION

FIRE PROTECTION METER WITHOUT BYPASS		
SCALE: N.T.S.	DATE: 11-2-2022	DRAWN BY: SWS
	<p>BOARD OF PUBLIC WORKS GAFFNEY, S.C.</p>	